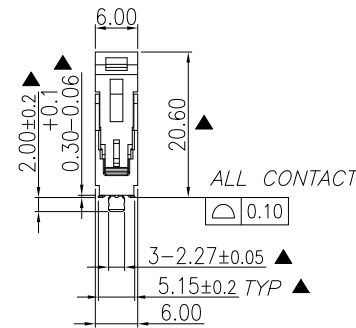
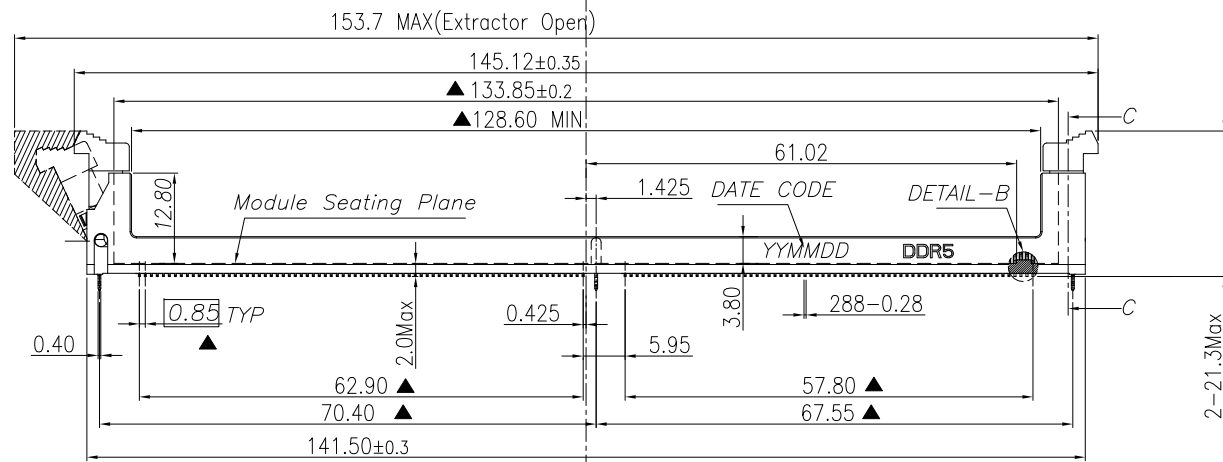
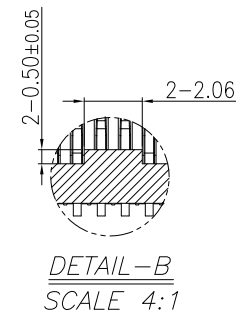
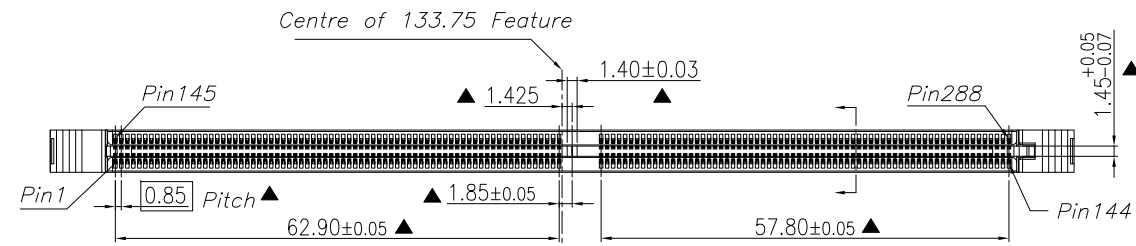


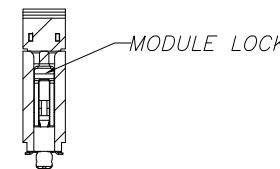
REV.	ECN.NO.	MODIFY.CONTENT
A		NEW



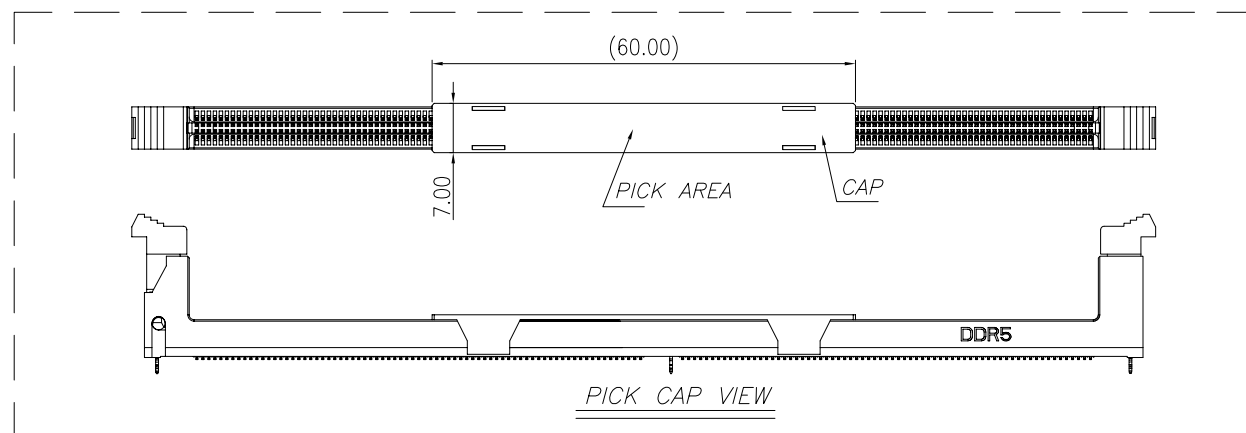
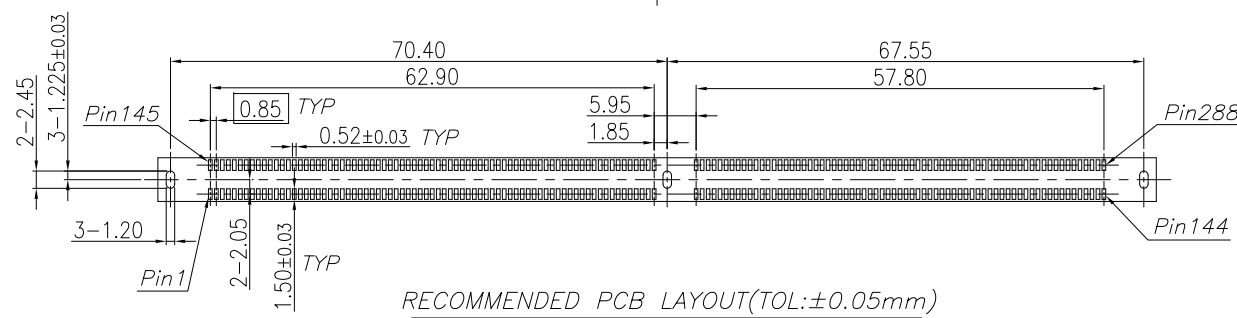
- NOTES:
- REFLOW SOLDER CAPABLE TO 260C MAX.10S.
 - MECHANICAL SPECIFICATION.
MATING FORCE:106.8N.MAX
UNMATING FORCE 19.77NMINIMUM
DURABILITY;25MATING AND UNMATING CYCLES
 - ELECTRICAL SPECIFICATION
CONTACT RESISTANCE: INITIAL:40 MILLOHMS MAX.
CONTACT RESISTANCE: FINAL: CHANGE 20 MILLOHMS MAX.
CURRENT RATING: 0.75AMPS MAX.
INSULATION RESISTANCE:1 MEGOHMS MIN. AT 500VAC
DIELECTRIC WITHSTAND VOLTAGE:500VAC MIN.FOR ONE MINUTE
 - ENVIRONMENT SPECIFICATION
OPERATING TEMPERATURE-55C TO +85C.

PART. NO:
DDR019-U5X X X - XX

- 2:Hard Tray包装
- HOUSING COLOR
- 1:BLACK
 - 2:white
 - 3:Blue (287C)
 - 4:Gray (432U)
- EXTRACTOR COLOR
- 1:BLACK
 - 2:white
 - 3:Blue (287C)
 - 4:Blue (432U)
- 42: 1U"MIN.
 - 43: 3U"MIN.
 - 44: 5U"MIN.
 - 45: 10U"MIN.
 - 46: 15U"MIN.
 - 47: 30U"MIN.



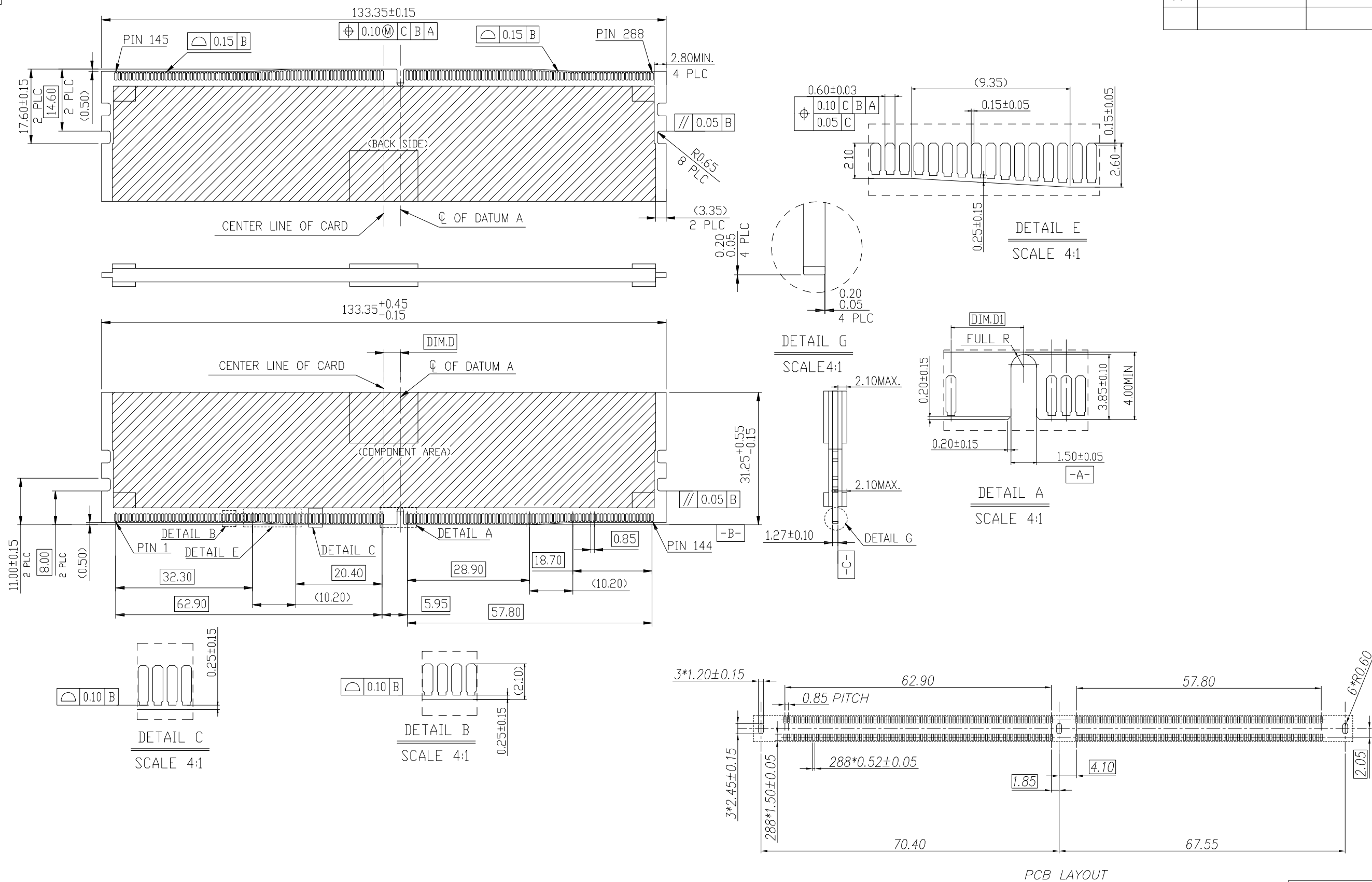
SECTION C-C
SCALE 1:1




NO	DESCRIPTION	QTY	MATERIAL	PLATING & COLOR
H	MODULE LOCK	1	SUS304 1/2H 0.4T	CLEAR
G	EXTRACTOR CAP	1	PA9T 45%GF UL94V-0	SEE PART.NO
F	CAP	1	LCP E130i	BLACK
E	FORK LOCK-B	1	SUS304 1/2H 0.4T	MATTE Sn120u"Min On SOLDER TAIL , ALL OVER 50u"Min Ni
D	FORK LOCK-A	2		
C	CONTACT	288	C7025-TM03 0.2T	GOLD ON CONTACT AREA MATTE Sn120u"Min On SOLDER TAIL , ALL OVER 50u"Min Ni
B	EXTRACTOR	1	PA9T 45%GF UL94V-0	SEE PART.NO
A	HOUSING	1	PA9T 45%GF UL94V-0	SEE PART.NO

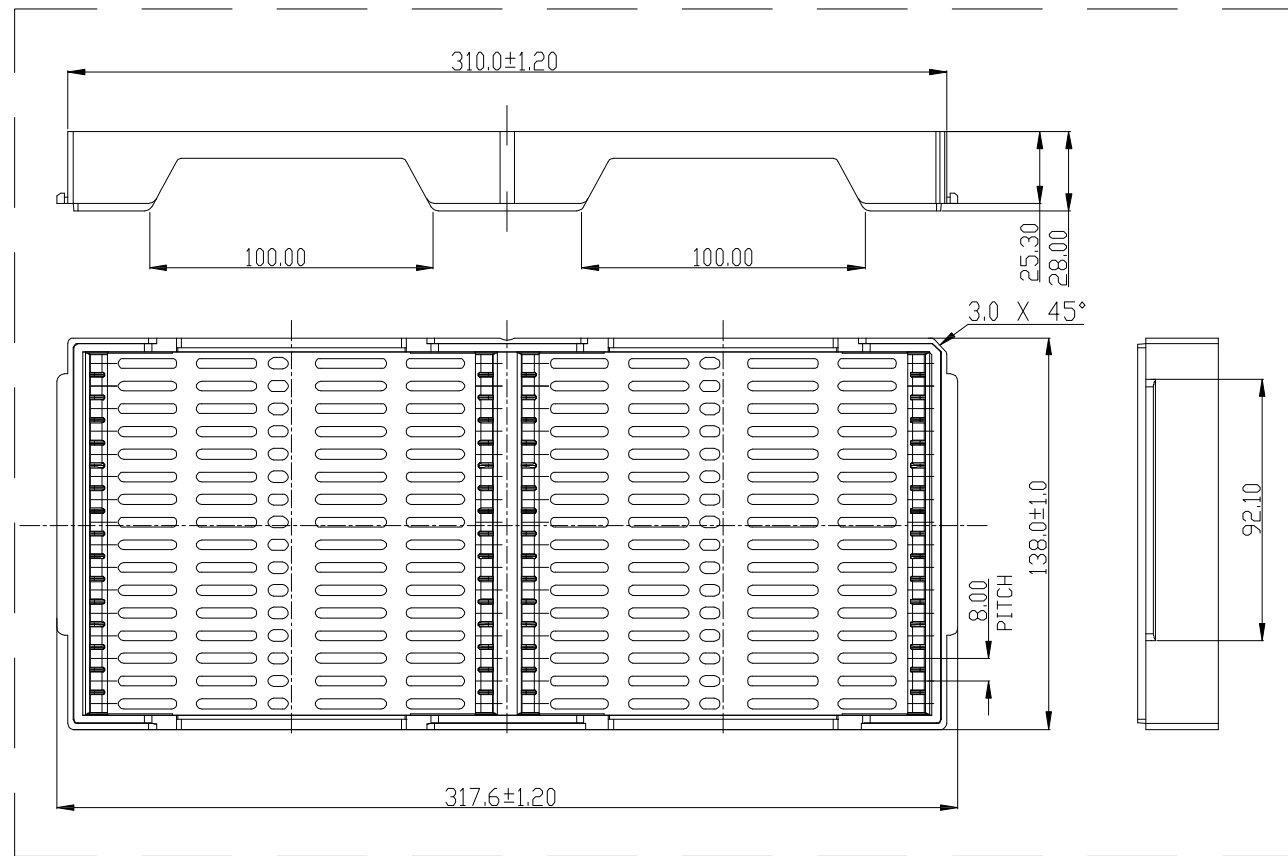
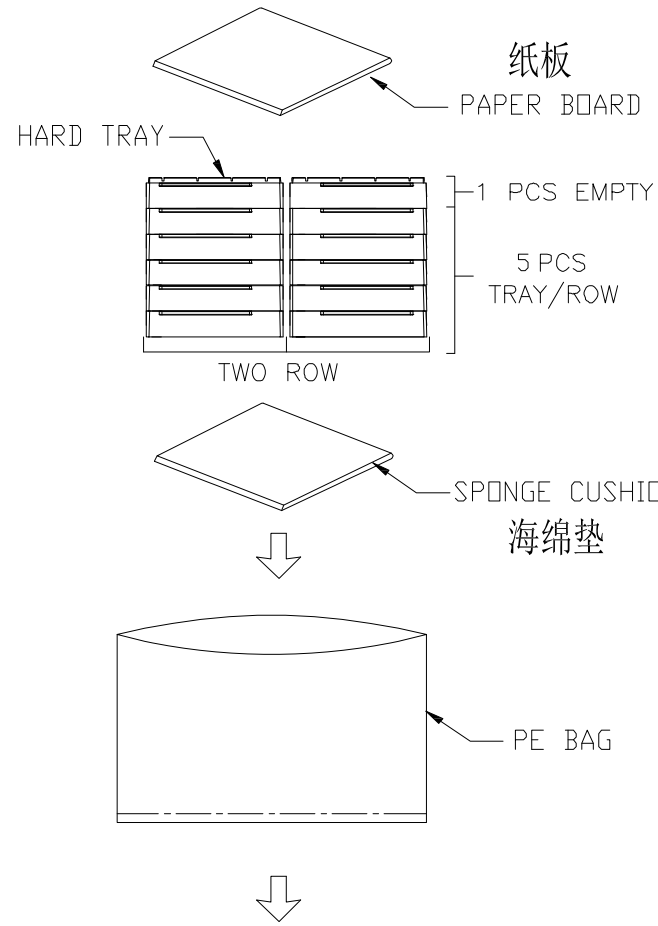
GENERAL TOLERANCE	DWG.NO.	DDR019-U52XX-XX	PART.NO.	DDR019-U52XX-XX	DRAWN	Du 2022-09-09
x.±0.50	REV.	A	TITLE	DDR5 288Pin RDIMM	CHECKED	
.x±0.25	SIZE	A4	SHEET	1 OF 3	APPROVED	
.xx±0.15						

REV.	ECN.NO.	MODIFY.CONTENT
A		

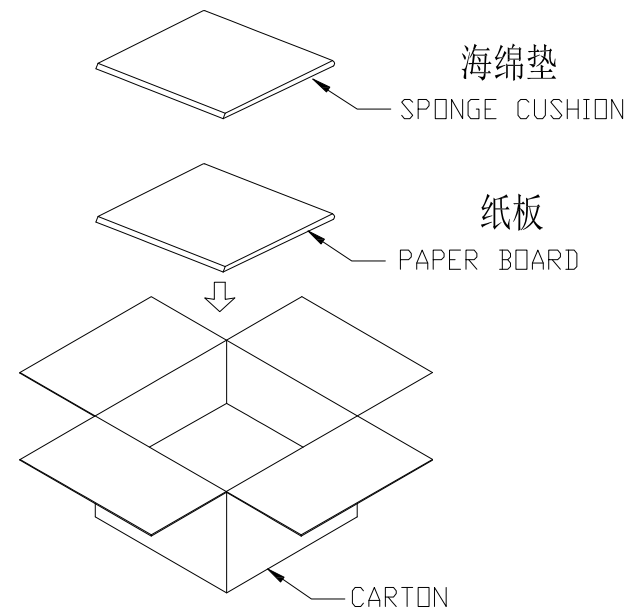
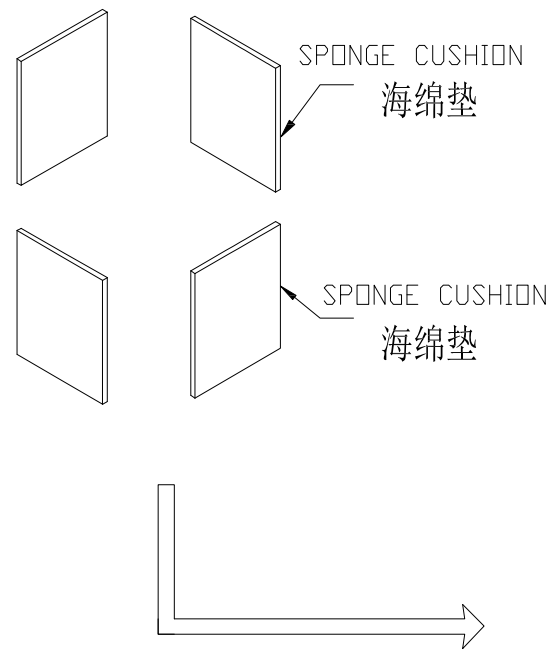


DIMM TYPE	DIM.D
UDIMM	1.425

GENERAL TOLERANCE	DWG.NO.	PART.NO.	DRAWN	UNIT	SCALE
x.±0.50	DDR019-U52XX-XX	DDR019-U52XX-XX	Du 2022-09-09	mm	NO SCALE
x.°± 5°	REV.	TITLE	CHECKED	 东莞市欧联电子科技有限公司 DONGGUAN OLN ELECTRONICS TECHNOLOGY CO., LTD.	
.x±0.25	A	DDR5 288Pin RDIMM	APPROVED		
.xx±0.15	SIZE	2 OF 3			
.xx± 1°	A4	SHEET			



HARD TRAY VIEW



NOTES:

- Quantity:
32PCS/Tray
10 Tray/Carton: 320 PCS/Carton
- 2PCS desiccant is placed in the packaging bag

⑤	PE BAG	2	
④	HARD TRAY	12	
③	PAPER BOARD	3	
②	SPONGE CUSHION	7	
①	CARTON	1	
ITEM	MATERIAL	Q'TY	NOTE

GENERAL TOLERANCE	TOLERANCE	DWG.NO.	DDR019-U52XX-XX	PART.NO.	DDR019-U52XX-XX	DRAWN	Du 2022-09-09
x.±0.50	x.°± 5°	REV.	A	TITLE	DDR5 288Pin RDIMM	CHECKED	
.x±0.25	.x°± 2°	SIZE		SHEET	3 OF 3	APPROVED	
.xx±0.15	.xx°± 1°	A4					